

TRACKER™

5,000-pound capacity tow bar

Owner's Manual

Entire contents of manual must be read by owner

FREE!
NEW EXTENDED
WARRANTY
AVAILABLE -
30-DAY DEADLINE



Towing and Suspension Solutions

ROADMASTER, Inc. • 6110 NE 127th Ave. • Vancouver, WA 98682
800-669-9690 • Fax 360-735-9300 • roadmasterinc.com

© 2010 ROADMASTER, Inc. All rights reserved. 851480-07 01/10

WELCOME TO THE ROADMASTER FAMILY!

This manual has been prepared to acquaint you with the installation, operation, care and maintenance of your tow bar, and to provide you with important safety information.

Read your owner's manual cover to cover. Understand how to install and operate your tow bar, and carefully follow the instructions and safety precautions.

Your tow bar has a one-year limited warranty. To qualify for your warranty, fill out and return the enclosed product registration card within 30 days of purchase. **As a bonus, we'll extend your warranty to a total of two years at no additional cost, if we receive the product registration card within 30 days of purchase.**

We thank you for your patronage and greatly appreciate your discerning taste.

Table of Contents

Safety definitions	inside front cover
Safe towing practices	1-2
Installer's safety checklist	2
Attaching the Tracker – standard bracket	3
Attaching the Tracker – removable bracket.....	4-5
Connecting the Tracker to the motorhome	5-6
Disconnecting the Tracker	6
Safety cables	
How to use safety cables	7
Proper installation of safety cables	7-8
Care and cleaning	8
Atwood coupler information	9
Tow bar components	back cover
Limited warranty	back cover

Your tow bar serial number...

...is on a metal label on the passenger's side tow bar arm. You will need this number when you fill out your product registration card.

Write down the serial number in the space below and retain for future reference.

Serial number: _____

Save this manual

Save this manual for future reference. It contains important sections relative to safety, use, maintenance, parts replacement and other information. Therefore, make sure this manual is always with you when you're towing.

You may download or print a copy of the most current manual at www.roadmasterinc.com (under 'Tech Support').

WARNING

Read all instructions before installing the tow bar, or before towing a vehicle. Failure to understand how to properly install or operate the tow bar could result in property damage, personal injury or even death.



All illustrations and specifications contained herein are based on the latest information available at the time of publication. ROADMASTER, Inc. reserves the right to make changes, at any time, without notice, in material, specifications and models, or to discontinue models.

IMPORTANT NOTICE!

Safety Definitions

This manual contains information that is very important to know and understand. This information is provided for **safety** and to **prevent equipment problems**. To help recognize this information, observe the following symbols:

WARNING

WARNING indicates a potentially hazardous situation which, if not avoided, could result in property damage, serious personal injury or even death.

CAUTION

CAUTION indicates a potentially hazardous situation which, if not avoided, may result in property damage, or minor or moderate personal injury.

CAUTION

CAUTION used without the safety alert symbol indicates a potentially hazardous situation which, if not avoided, may result in property damage.

NOTE

Refers to important information and is placed in italic type. It is recommended that you take special notice of these items.

SAFE TOWING PRACTICES

To ensure your safety and that of your passengers, as well as the safety of others on the road, follow these safe towing practices at all times.

CAUTION

- **Do not back up the motorhome with the towed vehicle attached.**

Backing up with the towed vehicle attached will cause the towed vehicle to “jackknife,” which will damage the tow bar, the mounting bracket, the receiver hitch, the towed vehicle’s front end, and/or the rear of the motorhome. Backing up with the towed vehicle attached is the primary cause of tow bar damage and will void the warranty.

- **Be sure the vehicle can be towed** before taking it on the road. Some vehicles must be equipped with a transmission lube pump, an axle disconnect, driveline disconnect or free-wheeling hubs before they can be towed. Failure to properly equip the vehicle will cause severe damage to the transmission.

Check the vehicle manufacturer’s instructions for the proper procedure(s) to prepare the vehicle for towing.

- **The tow bar must be approximately level with the ball hitch on the motorhome.** Towing with the tow bar at an upward or downward slope puts undue strain on the tow bar bracket and the ball mount. Driving over sharp inclines or declines could force the coupler off the hitch ball.

If it is necessary to raise or lower the hitch, two optional accessories are available: an adjustable ball hitch, part number 880; and roller hitch drops, in 4" through 10" drops (part numbers 051-4 through 051-10).

- **The steering wheel must be unlocked and free to turn when towing.** Failure to do so can cause severe tire and equipment damage. Check the manufacturer’s instructions for the proper towing procedure(s).

- **Always use safety cables when towing.** The safety cables must connect the towed vehicle to the towing vehicle, frame to frame.

Additionally, check to ensure that the safety cables are the proper length. Refer to the sections titled “How to use safety cables” and “Proper installation of safety cables” for further information.

The weight capacity of the safety cables must meet or exceed the towed weight, or the safety cables will fail.

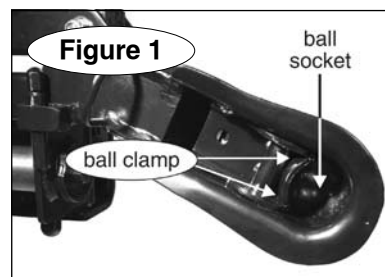
- The Tracker tow bar is rated at a maximum of 5,000 pounds carrying capacity; therefore **the weight of the towed vehicle and all its contents cannot exceed 5,000 pounds.** In addition, the hitch ball, the receiver hitch, the safety cables and all supplementary towing equipment must be rated at no less than the weight of the towed vehicle and all its contents.

- **The tow bar must be secured with lynch pins (or optional padlocks) before towing.** Unless the tow bar is secured to both vehicles with all appropriate pins (or padlocks), the towed vehicle will detach.

- **Inspect the system before towing** – check the

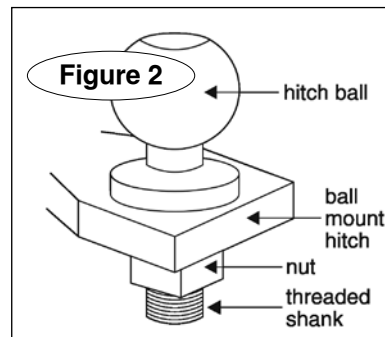
mounts, brackets, bolts, fasteners, wiring, the safety cables and all other system components each time before towing. Check the coupler ball clamp and ball socket (Figure 1) for fractures or cracks in the steel.

If any component is damaged, replace it before towing.



Check the nut at the bottom of the threaded hitch ball shank (Figure 2) to ensure that it is tightened to the manufacturer’s torque specifications.

Inspect the nut and the bottom of the threaded hitch ball shank (Figure 2) for signs of wear caused when the motorhome ‘bottoms out.’ If the nut is damaged, replace it; if the threaded shank is damaged, replace the hitch ball and shank.



Additionally, check the tow bar bracket every 3,000 miles – inspect for any fractures or cracks in the steel, or any visible damage. Do not tow if the tow bar bracket is damaged.

Additionally, check the torque on all bolts. (To find the torque ratings, refer to the installation instructions for the mounting bracket and the tow bar.)

- **Never tow a vehicle with one of a comparable weight.** The towed vehicle’s weight should never exceed 40 percent of the towing vehicle’s weight.

Towing a vehicle with one of similar weight will cause the towed vehicle to override the towing vehicle, resulting in “jackknifing,” “leapfrogging” or “fishtailing.” Serious damage to both vehicles, as well as the towing system, could result.

- **Check the motorhome turning radius.** Some motorhome chassis have such a tight turning radius that you can damage your motorhome, towed vehicle or tow bar while turning too sharply. Before getting on the road with your towed vehicle, you should test your turning radius in an empty parking lot.

With the towed vehicle attached, have someone watch as you slowly turn sharply to see whether you have this potential problem. If you do, note how far you can safely turn the motorhome’s steering wheel, and be sure not to turn it further when towing. Damage that results from turning too sharply is not covered by warranty.

- **Never use the tow bar to tow more than one vehicle.** In some states it is legal to have one vehicle towing more than just one vehicle (for example, a truck which is towing a trailer which is towing a boat). However, when using a tow bar, never tow more than one vehicle, or non-warranty

continued on next page

Safe towing practices

continued from preceding page
damage or injury may result.

- **The hitch ball must be two inches in diameter.** If the hitch ball diameter is smaller than two inches, the coupler may disengage during towing.

Also, the diameter of the threaded hitch ball shank (Figure 2) must match the diameter of the hole in the ball mount hitch. If the threaded shank is too small, towing vibrations could cause the hitch ball to unthread and

separate from the ball mount hitch.

- **Keep the tow bar clean and well-lubricated.** As is the case with most precision equipment, frequent cleaning and care results in better performance and longevity.

Refer to the section titled “Care and cleaning” for further information.



WARNING

Failure to follow these instructions may cause property damage, personal injury or even death.

INSTALLER’S SAFETY CHECKLIST

The following safety checklist is provided to the installer with the instructions for installing the Tracker tow bar. It is repeated here for your information.

As a precaution, verify that all safety requirements have been followed before towing the vehicle.

- **The installer must be sure that the vehicle is suitable or adaptable for towing.** Some vehicles must be equipped with a transmission lube pump, an axle disconnect, driveline disconnect or free-wheeling hubs before they can be towed. Failure to properly equip the vehicle will cause severe damage to the transmission.

Check the manufacturer’s instructions for the proper procedure(s) to prepare the vehicle for towing.

- **Read the instructions thoroughly before installing the ‘quick-disconnect’ (‘QD’) system and its components.** The tow bar will be attached to the QD system. If the QD system is not properly aligned, centered and positioned on the towed vehicle, the tow bar will not be centered on the towed vehicle, which may cause excessive tire wear and other consequential, non-warranty damage.

- **Stress to the owner that the tow bar must be level with the ball hitch on the motorhome.** Towing with the tow bar at an upward or downward slope puts undue strain on the tow bar mounting bracket and the ball mount. Driving over sharp inclines or declines could force the coupler off the hitch ball.

- **Show the owner how to properly operate the tow bar.** Familiarize yourself with the features of the tow bar. Demonstrate them to the owner, and ask the owner to connect and disconnect the tow bar and other components of the towing system, until the owner is comfortable with its operation.

- **Advise the owner to always use safety cables when towing.** The safety cables must connect the towed vehicle to the towing vehicle, frame to frame.

The weight capacity of the safety cables must meet or exceed the towed weight, or the safety cables will fail.

- The Tracker tow bar is rated at a maximum of 5,000 pounds carrying capacity; therefore **the weight of the towed vehicle and all its contents cannot exceed 5,000 pounds.** In addition, the hitch ball, the receiver hitch, the safety cables and all supplementary towing equipment must be rated at no less than the weight of the towed

vehicle and all its contents.

- **Caution the owner to use a hitch ball with a two-inch diameter.** If the hitch ball diameter is smaller than two inches, the coupler may disengage during towing.

In addition, the diameter of the threaded hitch ball shank must match the diameter of the hole size in the ball mount hitch. If the threaded hitch ball shank is too small, towing vibrations could cause the hitch ball to unthread and separate from the ball mount hitch.

- **The tow bar must be attached to a bracket which is bolted to the towed vehicle’s frame or unibody.** In order to be towed, virtually all vehicles require a tow bar mounting bracket that is connected to the frame, unibody or chassis and extends beyond the bumper.

- **Caution the owner to secure the tow bar with lynch pins (or optional padlocks) before towing.** Unless the tow bar is secured to both vehicles with all appropriate pins (or padlocks), the towed vehicle will detach.

- **The installer must NOT use the tow bar as a ground for welding.** Connecting a ground to the ‘A-frame’ of the tow bar will cause current to flow through the locking spring, which will detemper the spring and destroy the locking mechanism.

- **Under no circumstances should the tow bar be welded to the vehicle,** nor should any of the pre-punched mounting holes be altered. Any welding or altering of the tow bar will void the owner’s warranty.



WARNING

Failure to follow these instructions may cause property damage, personal injury or even death.

ATTACHING THE TRACKER – STANDARD BRACKET

There are two ways to attach the Tracker to the towed vehicle. They depend on the type of mounting bracket:

1) If the towed vehicle has a **standard mounting bracket** (Figure 3), the crossbar (Figure 3) is bolted to the bracket. With this method, the crossbar remains attached to the front of the towed vehicle.

Use the instructions below to attach the Tracker to a standard bracket.

2) If the towed vehicle has a **removable mounting bracket** (ROADMASTER XL™ or EZ Twistlock™ series), the crossbar, as well as the front extensions of the mounting bracket, can be easily removed from the front of the vehicle when it is not being towed.

An optional set of “quick-disconnects” (or, “QDs”, part number 201) is required for this method.

Use the instructions beginning on the next page to attach the Tracker to a removable mounting bracket.

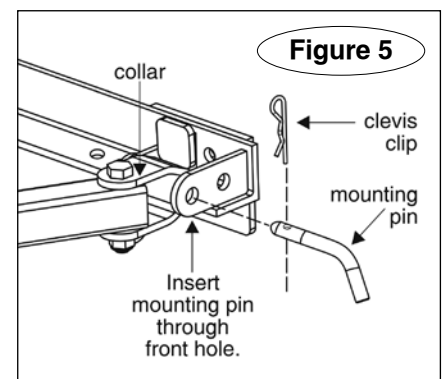
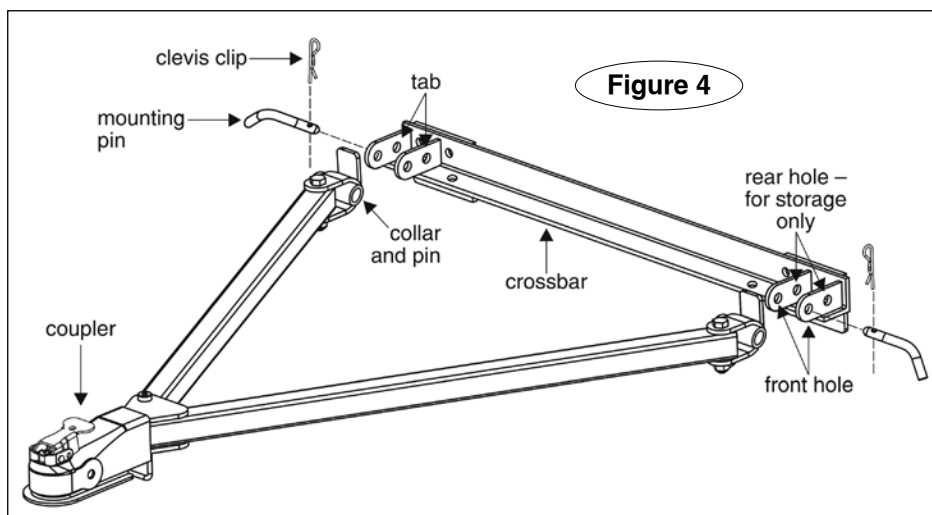
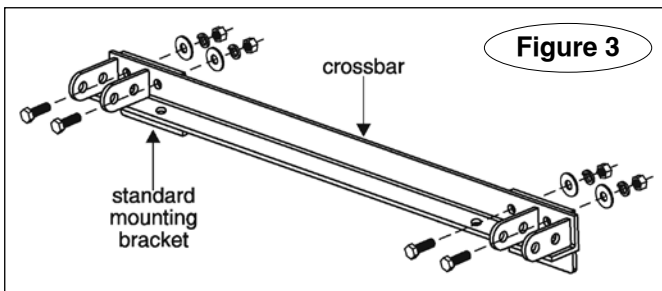
Attaching the Tracker – standard bracket

1. Attach the crossbar to both ends of the mounting bracket, using the supplied bolts, washers, lock washers and nuts, as shown in Figure 3. Torque all bolts to 75 ft./lbs.

WARNING

Use all mounting hardware. If all supplied materials are not used, the crossbar or other components may vibrate loose, which may cause property damage, personal injury or even death.

2. Position the collars (Figure 4 and 5) on the tow bar



inside the tabs (Figure 4 and 5) on the crossbar.

3. Insert the mounting pins (Figure 4 and 5) through the **front holes** on the tabs, and then through both collars (Figure 4).

4. Secure both mounting pins with the clevis clips (Figure 4 and 5).

WARNING

The mounting pins must extend through both tabs and through both tow bar collars, as shown in Figure 5. Both mounting pins must be secured with clevis clips.

Failure to attach the mounting pins correctly will cause the tow bar to separate from the crossbar, which may cause property damage, personal injury or even death. You will lose your towed vehicle.

ATTACHING THE TRACKER – REMOVABLE BRACKET

There are two ways to attach the Tracker to the towed vehicle. They depend on the type of mounting bracket:

1) If the towed vehicle has a **standard mounting bracket**, the crossbar is bolted to the bracket. With this method, the crossbar remains attached to the front of the towed vehicle.

Use the instructions on the preceding page to attach the Tracker to a standard bracket.

2) If the towed vehicle has a **removable mounting bracket** (ROADMASTER XL™ or EZ Twistlock™ series), the crossbar, as well as the front extensions of the mounting bracket, can be easily removed from the front of the vehicle when it is not being towed.

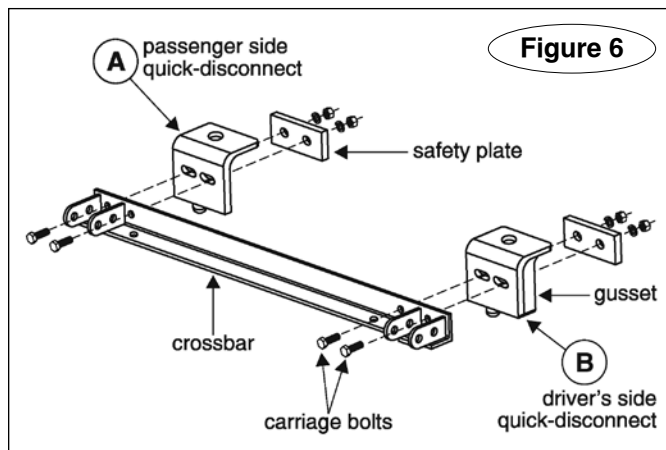
An optional set of “quick-disconnects” (or, “QDs”, part number 201) is required for this method.

Use the instructions below to attach the Tracker to a removable bracket.

Attaching the Tracker – removable bracket

(An optional set of “quick-disconnects” – or, “QDs”, part number 201 – is required for this method.)

First, attach quick-disconnect parts “A” and “B” (Figure



6) to the Tracker safety base:

1. Align the holes in parts “A” and “B” over the holes at each side of the Tracker crossbar. Make certain that part “A” is on the passenger side, and part “B” is on the driver’s side – the gussets (Figure 6) will be on the outside.

Thread one of the supplied carriage bolts (Figure 6) through each hole, and through the quick-disconnects.

2. At each end, position one of the safety plates (Figure 6) over the carriage bolts.

3. Thread a lock washer and nut over each carriage bolt to secure the safety plates and the quick-disconnects to the Tracker crossbar. Finger-tighten only at this time.

⚠ WARNING

Use all mounting hardware and the safety plates. If all supplied materials are not used, the quick-disconnects or other components may vibrate loose, which may cause property damage, personal injury or even death.

4. Next, attach quick-disconnect parts “C” and “D” (Figure 7) to the mounting bracket. Attach parts “C” and “D” so that the vertical pin on each is pointing up, as shown in Figure 7.

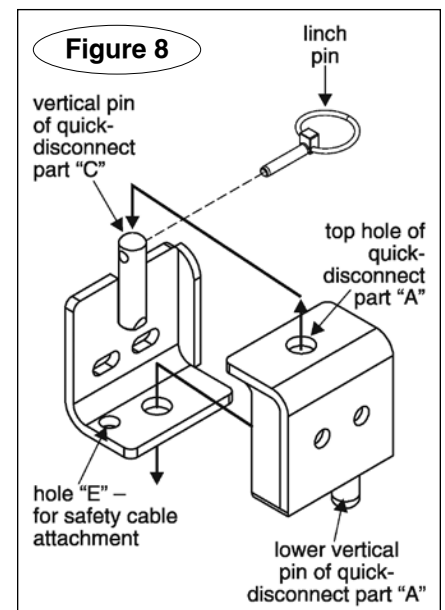
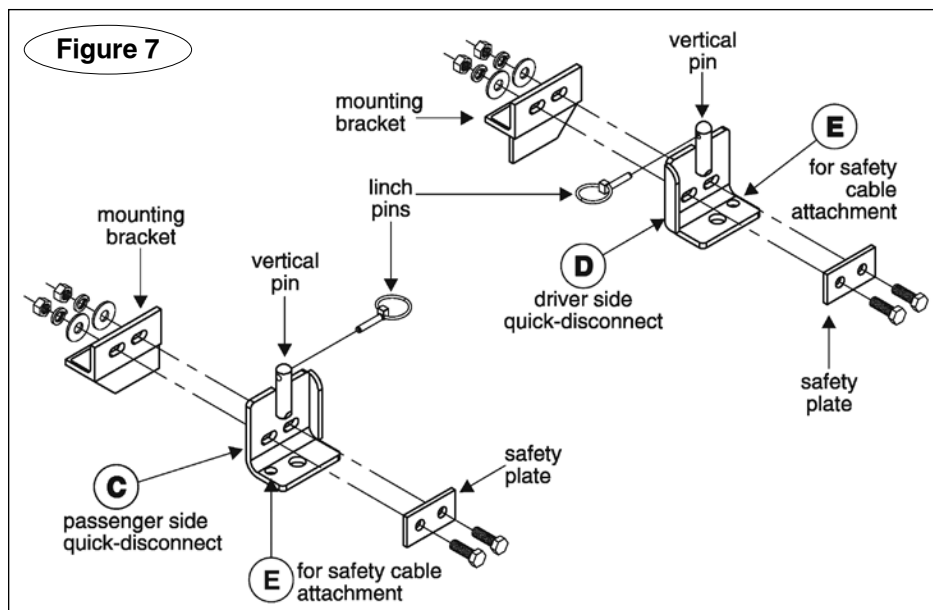
Attach part “C” on the passenger side, and part “D” on the driver’s side. Use the supplied ½” x 1½” bolts, the two safety plates, and the flat washers, lock washers and nuts, as shown in Figure 7.

Note that both QDs have an extra hole – “E” in Figure 7 – for safety cable attachment. Mount parts “C” and “D” so that the “E” holes are to the outside.

Do not tighten any of the bolts – leave them loose for now – they will be tightened later.

5. Now, test-fit the crossbar – lower the crossbar over the quick-disconnects. The vertical pins at the top of both QDs should fit through the top holes at the ends of the crossbar (Figure 8), and the vertical pins at the bottom of the cross-

continued on next page



Attaching the Tracker – removable bracket

continued from preceding page

bar should fit through the lower holes on the quick-disconnects (Figure 8).

6. Both quick-disconnects must be positioned so that the crossbar is centered to the front of the vehicle – measure the distance between the side of one QD and the side of the mounting bracket it is attached to. Then, make certain there is an equal distance between the other QD and the other mounting bracket.

CAUTION

The quick-disconnect parts “C” and “D” must be centered on the mounting brackets for the tow bar to be centered. If parts “C” and “D” are mounted too far to the left or right, it will cause excessive tire wear, which is not covered by warranty.

7. Once the crossbar slides on and off easily, torque the four bolts to 75 ft./lbs.

Again, test-fit the crossbar over the QDs, to verify that the crossbar slides on and off easily. If it does not, adjust the QDs again.

8. The two linch pins (Figure 8) must be inserted through the upper holes in the vertical pins in both quick-disconnects.

Both linch pins must be locked. The rings (Figure 9)

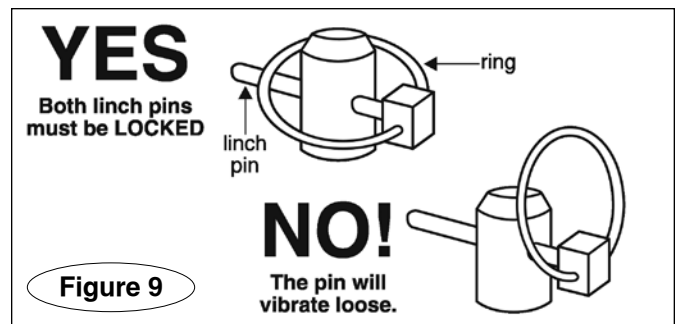
are spring-loaded – they must be snapped over the pin, as shown in Figure 9, with the curved side of the linch pin touching the ring, in order to keep the quick-disconnect bases secure.

WARNING

Towing vibrations will force the linch pins out unless they are properly locked in place over the vertical pins on both quick-disconnects. Refer to Figure 9.

Failure to properly attach and lock both linch pins will result in the loss of the towed vehicle, which may cause property damage, personal injury or even death.

(ROADMASTER recommends replacing at least one linch pin with a padlock – part number 301 or 302 – to prevent accidental release or theft.)



CONNECTING THE TRACKER TO THE MOTORHOME

CAUTION

Use caution when handling the tow bar – if your hands, fingers or any part of your body are caught between moving components, they can be pinched, cut or otherwise injured.

1. First, attach the Tracker to the towed vehicle – refer to either “Attaching the Tracker – standard bracket,” or “Attaching the Tracker – removable bracket.”

2. Drive the vehicle to be towed up to the rear of the motorhome. Put the vehicle in gear (park), set the emergency brake and chock one of the wheels.

3. Lower the tow bar to position the coupler (Figure 10) over the hitch ball.

With the coupler over the ball, raise the coupler locking lever (Figure 10) until the tab ‘ear’ (Figure 10) just clears the tab hole (Figure 10), and pull straight back toward the towed vehicle.

Next, lower the coupler over the hitch ball so that it completely covers it, and push the coupler locking lever forward until it locks on the ball.

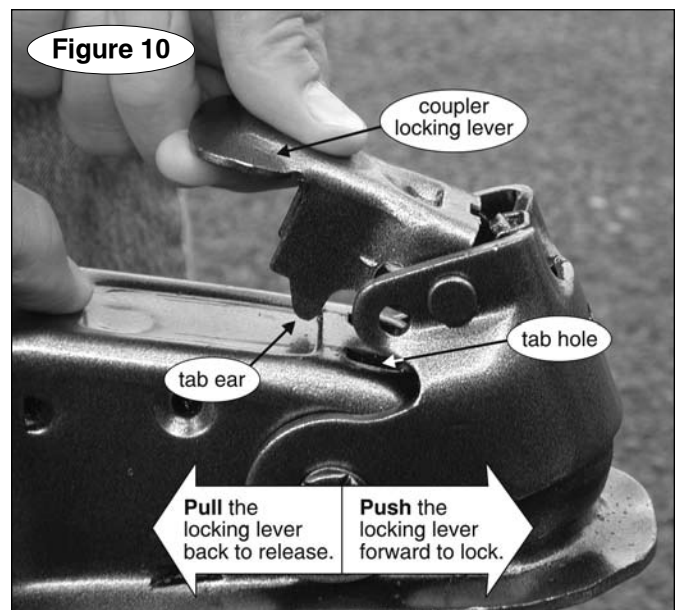
Note: use an optional coupler lock (part number 305) for added protection against accidental coupler disconnect.

Be certain the coupler is properly locked onto the hitch ball – the tab ear will slide back into the tab hole when the mechanism is fully engaged.

WARNING

If the coupler is not properly locked onto the hitch ball, as described above, it will release during towing. The tow bar will separate from the motorhome, which may cause property damage, personal injury or even death.

continued on next page



Connecting the Tracker to the motorhome

continued from preceding page

4. Attach the safety cables (See “How to use safety cables” and “Proper installation of safety cables.”) and plug in the electrical wiring cord, according to the supplier’s instructions.

Before towing the vehicle, make certain that the steering is unlocked, the transmission is in the proper setting, and the emergency brake is released. Remove the wheel chock.

Check the manufacturer’s specifications, the owner’s manual, or talk to the installer for the proper towing procedures or requirement(s) for the vehicle to be towed.

WARNING

Do not tow the vehicle until the tow bar is properly

attached with all pins or padlocks. Unless the tow bar is secured to both vehicles with all appropriate pins or padlocks, the vehicle will detach, which may cause property damage, personal injury or even death.

WARNING

Do not tow a vehicle using tow bar mounting brackets, safety cables, or a hitch receiver rated less than the actual weight of the towed vehicle.

If the brackets, safety cables, hitch receiver or any supplementary towing equipment is not rated at the weight of the towed vehicle and all its contents, it may fail during towing, which may cause property damage, personal injury or even death.

DISCONNECTING THE TRACKER

1. Disconnecting the tow bar is essentially the reverse of connecting it. First, always try to park on level ground, with the towed vehicle in line with the motorhome. This will eliminate most of the tension between the vehicles, allowing for an easier disconnect.

2. Disconnect the electrical wiring harness, safety cables, and any other towing system accessories.

3. Put the towed vehicle in gear (park), set the emergency brake and chock one of the wheels.

WARNING

Always put the towed vehicle in gear (park), set the emergency brake and chock one of the wheels before lifting the coupler off the hitch ball. Failure to do so may result in a ‘runaway’ vehicle or may crush you between the towed vehicle and the motorhome, causing property damage, personal injury or even death.

4. Pull back on the coupler locking lever (Figure 10) to release the coupler, and lift the coupler off the ball.

Note: if it is difficult to lift the coupler, the towed vehicle’s weight may be pressing against it. Release the pressure by turning the steering wheel to the left or the right, to align the towed vehicle’s front wheels to the motorhome.

5. To remove the Tracker from the towed vehicle:

A. If the towed vehicle has **removable mounting brackets** – remove the two lynch pins (one on each side, Figures 7 and 8) and lift the crossbar and tow bar up.

(ROADMASTER recommends replacing at least one lynch pin with a padlock – part number 301 or 302 – to prevent accidental release or theft.)

B. If the towed vehicle has **standard mounting brackets** – remove the two clevis clips (one on each side, Figure 5), pull the two mounting pins out (one on each side, Figure 5), and lift the tow bar up.

If the towed vehicle has standard mounting brackets, the Tracker can be stored on the vehicle in a vertical position by inserting a bolt or pin (not supplied) through the tow bar and the **rear holes** on the crossbar tabs. Refer

to Figure 4.

Note: check state regulations – driving a vehicle with the tow bar in this position is illegal in some states.

HOW TO USE SAFETY CABLES

Safety cables are an integral part of your towing system. They are a secondary safety device, required by law in many states. This section, and the following section, will acquaint you with how to use them properly.

- The safety cables must be rated at 5,000 pounds weight capacity (the maximum capacity of the Tracker tow bar). The weight of the towed vehicle and all its contents cannot exceed 5,000 pounds.
- The safety cables must connect the towing vehicle to the towed vehicle, frame to frame.
- Pull the safety cables so that all the slack is at the motorhome. **Make sure there is enough slack in the cables at the motorhome to allow for sharp turns** – if there is not enough slack, the towing system will be severely damaged when the motorhome turns.
- The safety cables must be the correct length...
 - Make sure the cables are not too short – if you use a receiver hitch extension or other equipment that extends the distance between the towed vehicle and the motorhome, the standard cables may be too short. If the cables are too short, the towing system will be severely damaged when the motorhome turns a sharp corner.

(Safety cable extensions in a wide variety of lengths are available from ROADMASTER.)

- Make sure the cables are not too long – the cables

should not hang down to the extent they may catch on obstructions, or drag on the ground. This much slack could cause damage to the towing system, the towed vehicle or the motorhome.

If the cables are too long, wrap the excess cable around the tow bar to take up the slack. **Make sure there is enough slack in the cables at the motorhome to allow for sharp turns.**

Damage caused by using safety cables of an incorrect length is not covered under warranty.

- Always cross the cables under the hitch receiver, as shown in Figure 11 under “Proper installation of safety cables.” In the unlikely event the tow bar separates from the motorhome, crossing the cables will help prevent the tow bar from dragging on the ground, which can cause the tow bar to “pole vault” the towed vehicle.
- Some ROADMASTER tow bar mounting kits with removable arms use two safety cables on each side. If two sets of safety cables are required, both must be used. This is required by law. Refer to “Proper installation of safety cables” for further information.

WARNING

Failure to follow these instructions may cause property damage, personal injury or even death.

PROPER INSTALLATION OF SAFETY CABLES

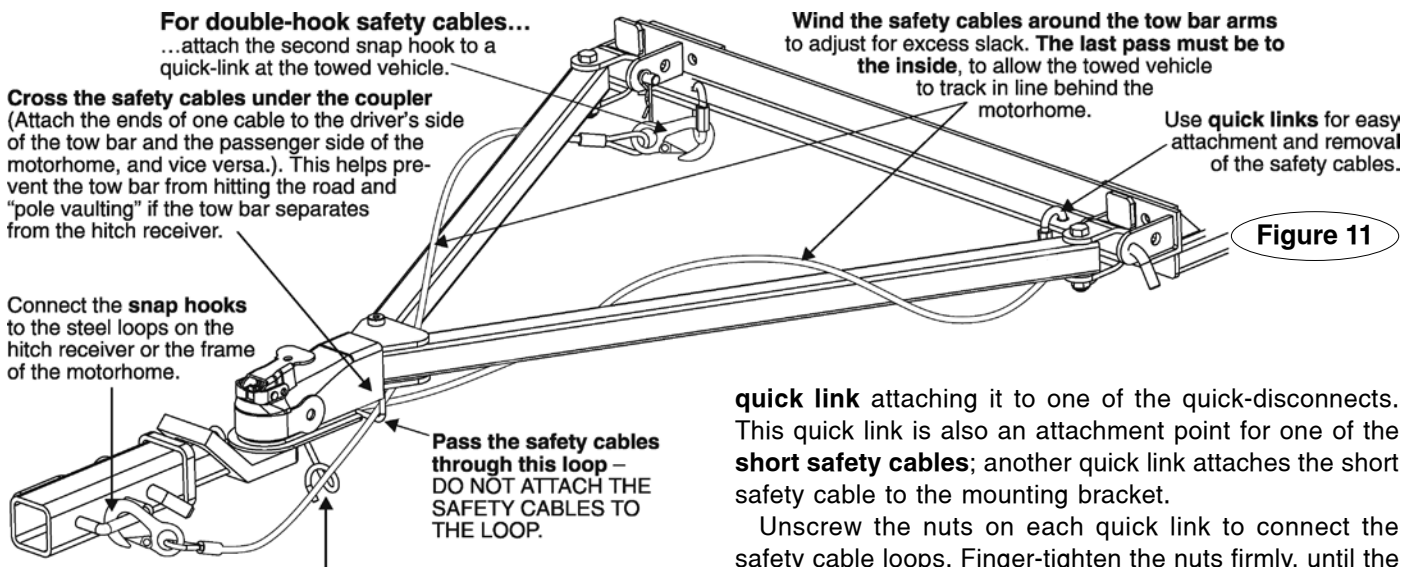


Figure 11

Do **not** route the safety cables between the hitch ball and the coupler. Use an optional **cable guide** (part no. 669) to help prevent the safety cables and the electrical cord from being crushed or damaged between the coupler and the hitch ball, or between the ball mount and the road.

Follow the instructions in Figure 11 (above) to attach the safety cables.

Some ROADMASTER tow bar mounting brackets with removable arms, such as the ones in Figure 12, use both a long safety cable and a short safety cable on each side.

Each **long safety cable** runs from the towing vehicle to a

quick link attaching it to one of the quick-disconnects. This quick link is also an attachment point for one of the **short safety cables**; another quick link attaches the short safety cable to the mounting bracket.

Unscrew the nuts on each quick link to connect the safety cable loops. Finger-tighten the nuts firmly, until the loop is completely closed, to secure the attachment.

Do not substitute carabiners or other devices for the quick links – the quick links are designed to hold the weight of a towed vehicle; carabiners or other devices are not.

Only ROADMASTER bracket kits with removable arms have these short safety cables (with the exception of MX brackets). Other bracket kits are bolted directly to the frame of the towed vehicle and do not require short safety cables.

continued on next page

Proper installation of safety cables

continued from preceding page

If your ROADMASTER bracket kit contains short safety cables, refer to the installation instructions for complete information.

⚠ WARNING

The safety cables must be carefully routed so that they cannot become pinched, frayed, scraped or otherwise damaged, and so they will not drag when going over dips or low spots.

Do not use the cables if they show any signs of wear or damage – immediately discontinue towing and replace the cables.

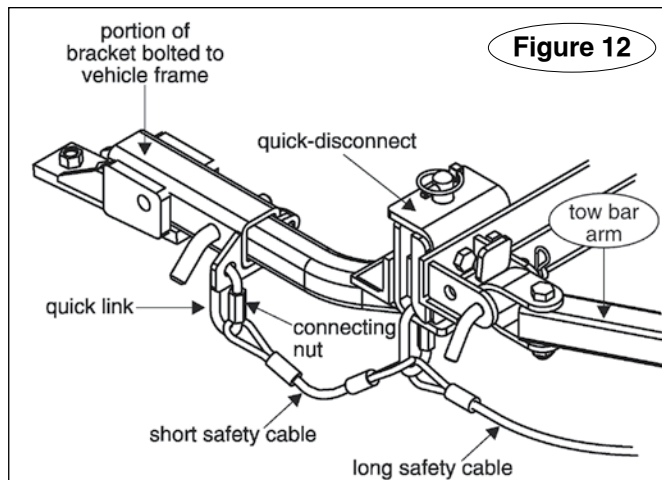
Failure to follow these instructions will result in cable failure, which may cause property damage, personal injury or even death.

⚠ WARNING

If the quick links are not completely tightened, with the loop closed, the safety cables may detach. In the event of a towing system failure, the towed vehicle will detach, which may cause property damage, personal injury or even death.

⚠ WARNING

If your towing system requires two sets of safety cables, always use both the long and the short safety cables. Connect them as shown in Figure 12. Otherwise, in the event of a towing system failure, the towed vehicle will detach, which may cause property damage, personal injury or even death.



CARE AND CLEANING

As is the case with most precision equipment, frequent cleaning and care results in better performance and longevity. Use the following guidelines to keep your tow bar clean and well-lubricated.

Always clean the tow bar before lubricating. Use a water-soluble cleaner such as Voom RV (part number 9911, shown below) – it does an exceptional job of breaking down road film, dirt and grease.

CAUTION

Do not use petroleum-based products to clean or lubricate the tow bar. Petroleum will attract dirt and dust, which will impede the operation of the collars and pins, and/or other components. Certain petroleum products may also corrode non-metallic components.

Damage caused by using a petroleum-based product to clean or lubricate the tow bar is not covered



Voom RV cleaner and degreaser (part number 9911)



LubeMaster silicone spray (part number 747) – meets Volatile Organic Compound (VOC) standards

under warranty.

Spray a liberal amount of cleaner on the tow bar and into both collars and pins (Figure 4). Move the coupler (Figure 4) to the left and the right, to work the cleaner into the collars and pins.

Clean the interior of the coupler, and wipe away the old grease, dirt and debris.

After cleaning the tow bar, wipe any remaining cleaner away.

Now that you have a clean, dry tow bar, use a dry silicone aerosol, such as LubeMaster (part number 747, shown below), to lubricate the tow bar – spray a liberal amount of silicone into the collars and the pins.

Lubricate the coupler ball socket and ball clamp (Figure 1) with wheel bearing grease; lubricate all other moving components of the coupler with SAE 30 weight oil. (See “Atwood coupler information.”)

Extended storage – before storing your tow bar for an extended period of time, clean and lubricate it as above. Store the tow bar in a dry, enclosed area, to protect it from the elements.

ATWOOD COUPLER INFORMATION

Following are the operation, latching and maintenance instructions from the coupler manufacturer, repeated here for your information. (References to trailer use do not apply to the Tracker.)

Operation

Warning – Personal Injury

- Safe towing practice requires the proper use of safety chains used in accordance with instructions provided by the trailer manufacturer.
- Check that the ball has been completely inserted into the coupler ball socket and the ball clamp (inside the coupler) is closed around the underside of the tow ball and the handle is in the closed position.
- The loaded weight of the trailer must never exceed the least capacity marked on the coupler, tow ball, hitch, trailer or vehicle.
- Check coupler, hitch and ball for damage or wear before each use. Assure all parts operate freely. Replace any component if worn or damaged.
- Failure to follow warnings and instructions could result in separation of tow vehicle and trailer which can result in death, personal injury and property damage.

Warning – Personal Injury

- For proper tow vehicle and trailer hookup, towing performance and to prevent damage to hitch and trailer coupling, the tow vehicle and trailer are to be level with respect to flat ground after hitching up. If your trailer is not level, equipment is available to raise or lower the hitch ball.

Caution – Product Damage

- Use caution when backing or towing vehicle for hook-up, damage to coupler may result.
- Avoid sharp turns when towing or backing. Jack-knifing could bend coupler or create extreme stress or fracture.

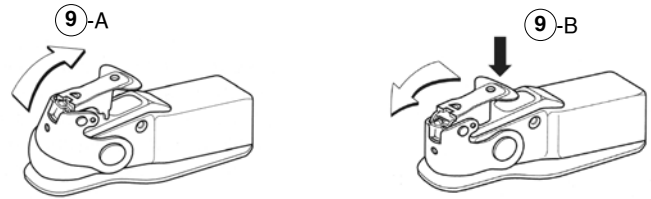
Latching Instructions – Yoke Style Couplers

Warning – Personal Injury

- Always open latch handle before inserting ball.
1. To open, lift the latch handle and pull backward, raising the yoke and resting it on the nose of the coupler (Fig 9-A).
 2. Place coupler on ball of same diameter as coupler and of same or greater capacity.
 3. When ball is completely nested in ball socket, push latch handle forward until yoke drops over nose of coupler and the latch handle locking tips freely enter slots on top of coupler (Fig 9-B).
 4. Extend jack to ground and lift car/trailer combination 2" - 4" to insure coupler is securely attached to tow ball. Retract jack completely before towing.

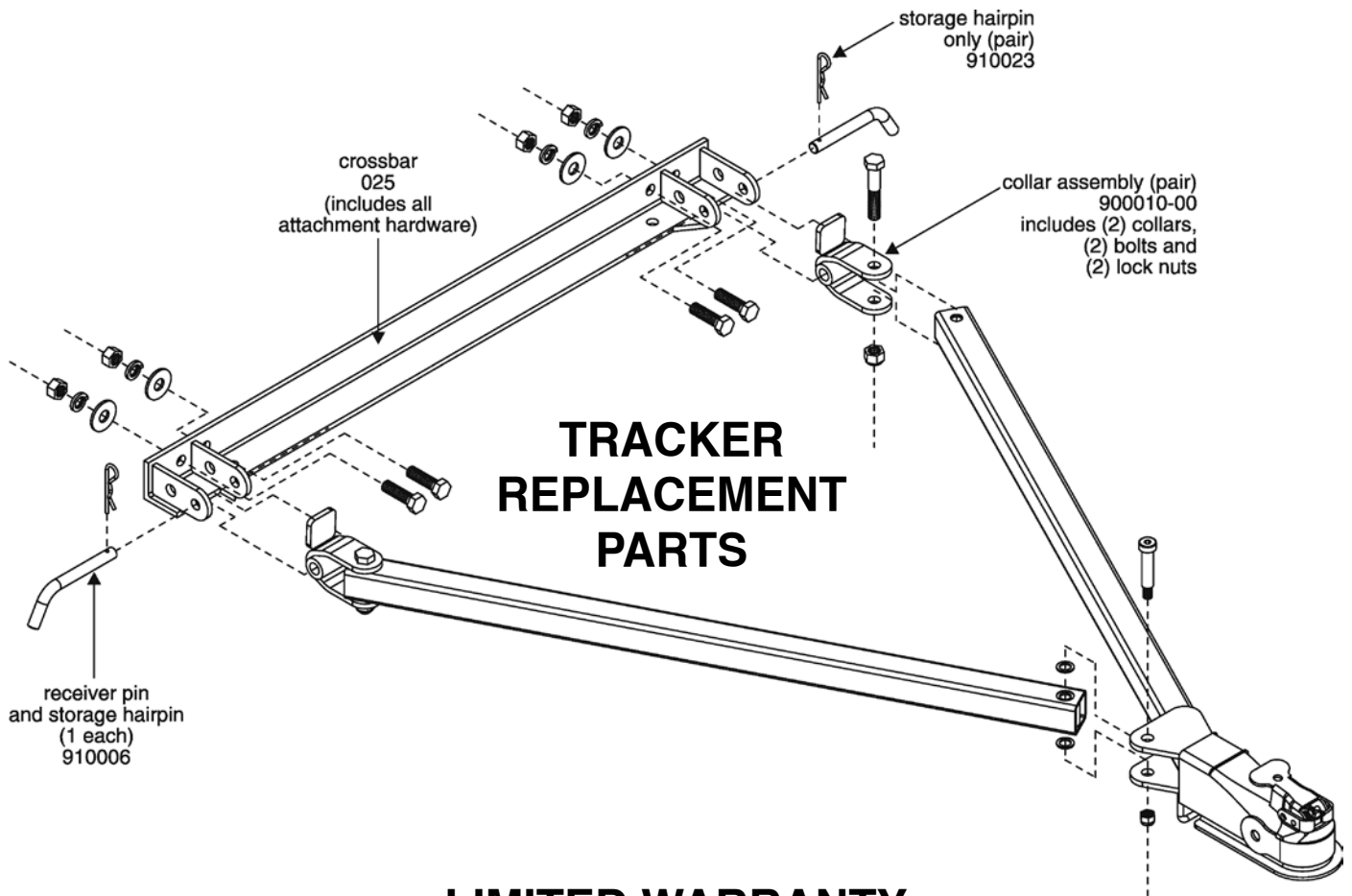
5. Insert padlock or bolt through lock hole in yoke for theft protection.

Note: these couplers are not adjustable for ball size.



Maintenance

1. Lubricate ball socket and ball clamp with wheel bearing grease. Clean and lubricate monthly.
2. Check towing hitch, ball and coupler for signs of wear before each trip. Replace coupler if damaged or worn.
3. Lubricate moving or sliding parts monthly with SAE 30 weight oil.



LIMITED WARRANTY

1. WARRANTY

1a. WARRANTY OF CONFORMITY AT TIME OF SALE

ROADMASTER, Inc. warrants that at the time of sale of this product it will be free from defects in material and manufacture and will conform to ROADMASTER'S specifications for the product.

1b. CONDITIONAL ONE-YEAR WARRANTY

In addition to the preceding time-of-sale warranty, if the product registration card is completely and accurately filled out and mailed to ROADMASTER within thirty (30) days of purchase, ROADMASTER will provide an additional warranty that for a period of one year after sale the product will remain in good working order, PROVIDED THAT the product is installed and maintained in accordance with ROADMASTER'S instructions and is not subjected to: (a) alteration or unauthorized repairs or repairs by anyone other than ROADMASTER or a ROADMASTER-authorized service center, (b) misuse, abuse, commercial use, or improper maintenance, (c) Acts of God (including without limitation hurricanes, tornadoes, floods, or other severe weather or natural phenomena), (d) failures due to products not supplied by ROADMASTER, or (e) other treatments, uses, or installations for which the product was not intended. This warranty extends only to the first retail purchaser-consumer of the product and is not transferable.

EXTENDED WARRANTY PERIOD: If ROADMASTER receives the product registration card, completely and accurately filled out, within thirty (30) days of purchase, ROADMASTER will enlarge the one-year warranty period in the preceding paragraph to a period of two years.

2. DISCLAIMER OF OTHER WARRANTIES

The preceding warranties are the exclusive and sole express warranties given by ROADMASTER. They supersede any prior, contrary or additional representations, whether oral or written. No agent, representative, dealer or employee has the authority to alter or increase the obligations or limitations of this warranty. Any implied warranties, including the WARRANTY OF MERCHANTABILITY and any WARRANTY OF FITNESS FOR A PARTICULAR PURPOSE, are limited in duration to thirty days or the term of the applicable express warranty provided above, whichever is longer.

Some states do not allow limitations on how long an implied warranty lasts, so the above limitation may not apply to you.

3. EXCLUSIVE REMEDY FOR ANY NONCONFORMITIES

If during the applicable Warranty Period, the product does not conform to the preceding Warranties, notify ROADMASTER as provided below, and within a reasonable time ROADMASTER will provide, at its option, one of the following: (1) replacement components for any nonconforming or defective product or components or (2) the percentage of the purchase price for the nonconforming product equal to the percentage of the Warranty Period remaining when ROADMASTER is notified of the nonconformity. ROADMASTER will, at its option, (a) use new and/or reconditioned parts in performing warranty repairs and making

replacement products, (b) use parts or products of original or improved design in the repair or replacement. If ROADMASTER repairs or replaces a product, its warranty continues for the remaining portion of the original Warranty Period or 60 days from the date of the return shipment to the customer, whichever is greater. All replaced products and all parts removed from repaired products become the property of ROADMASTER. ROADMASTER will not provide, and will not be liable for, labor, costs of removal or reinstallation of components, disposal, shipping, freight, taxes, or other incidental charges.

THESE REMEDIES ARE THE EXCLUSIVE AND SOLE REMEDIES FOR ANY BREACH OF WARRANTY.

For any breach of warranty, the Owner must telephone ROADMASTER at 1-800-669-9690 within thirty (30) days after discovering the nonconformity. Do not return any product without first calling ROADMASTER and getting a return authorization number. Returned products must include the return authorization number and a copy of the original invoice, bill or other proof of the date of purchase. The date of purchase must coincide with the original warranty registration card on file. ROADMASTER will authorize (a) shipment of the product to ROADMASTER or (b) repair or replacement at the nearest warranty service center—in both cases with shipping at your expense. Do not purchase replacement parts or pay for repair labor—you will not be reimbursed. Compliance with the requirements of this paragraph is a condition to coverage under the Warranty: if these requirements are not complied with, ROADMASTER will have no obligation to provide any remedy for any breach of warranty.

4. DISCLAIMER OF INCIDENTAL AND CONSEQUENTIAL DAMAGES

IN NO EVENT SHALL ROADMASTER BE LIABLE FOR ANY INCIDENTAL, SPECIAL, INDIRECT OR CONSEQUENTIAL DAMAGES, WHETHER RESULTING FROM NONDELIVERY OR FROM THE USE, MISUSE OR INABILITY TO USE THE PRODUCT OR FROM DEFECTS IN THE PRODUCT.

Some states do not allow the exclusion or limitation of incidental or consequential damages, so the above limitation may not apply to you.

5. APPLICABLE LAW

This Warranty will be interpreted, construed, and enforced in all respects in accordance with the laws of the State of Washington, without reference to its choice of law rules. The U.N. Convention on Contracts for the International Sale of Goods will not apply to this Warranty.

6. SEVERABILITY

If any provision of this warranty is found to be invalid or unenforceable, then the remainder shall have full force and effect, and the invalid provision shall be partially enforced to the maximum extent permitted by law to effectuate the purpose of the agreement.

7. ADDRESS FOR NOTICES TO ROADMASTER

ROADMASTER, Inc., 6110 NE 127th Ave, Vancouver, WA 98682

This warranty gives you specific legal rights, and you may also have other rights which vary from State to State.